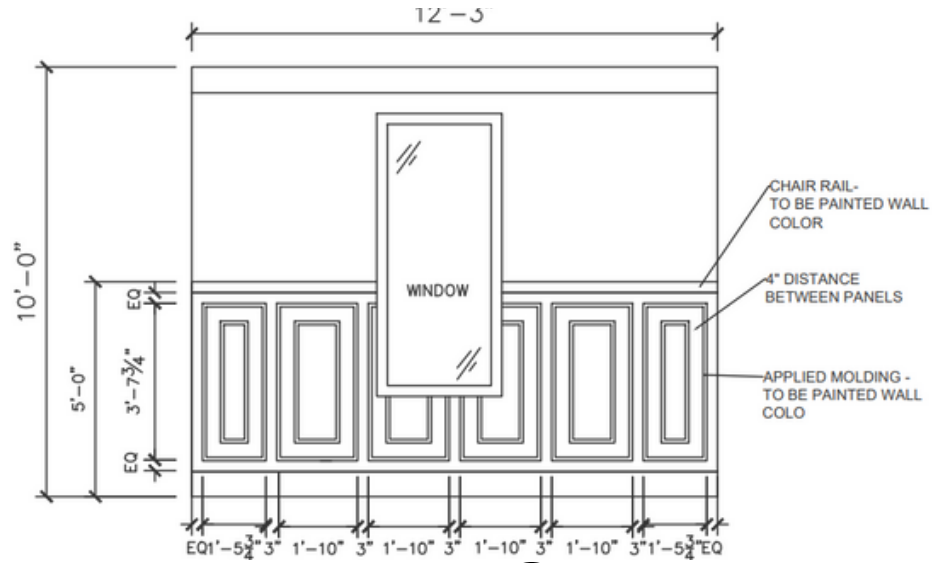
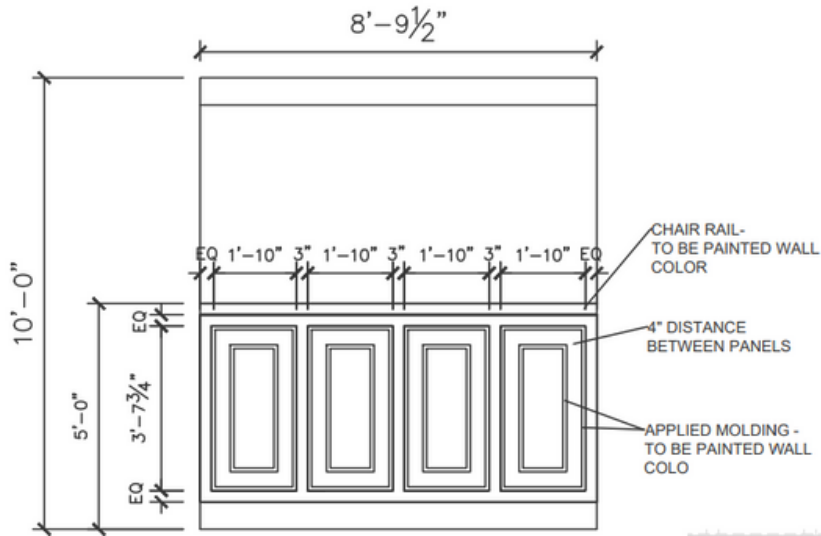


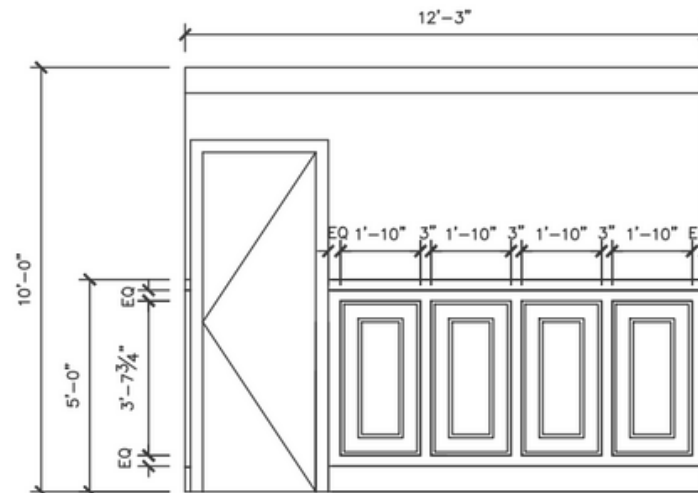
1



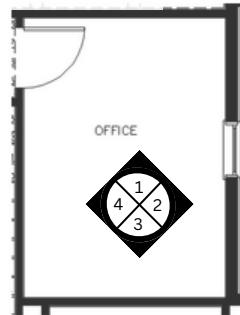
2



3



4



JL DESIGN
 NASHVILLE
 370 HERRON DRIVE
 NASHVILLE, TN
 37210

PROJECT NAME:
 MAKER
 CONSTRUCTION

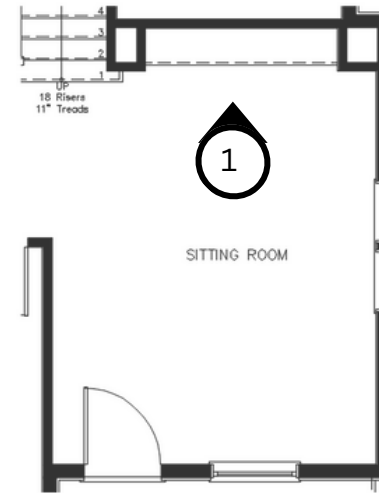
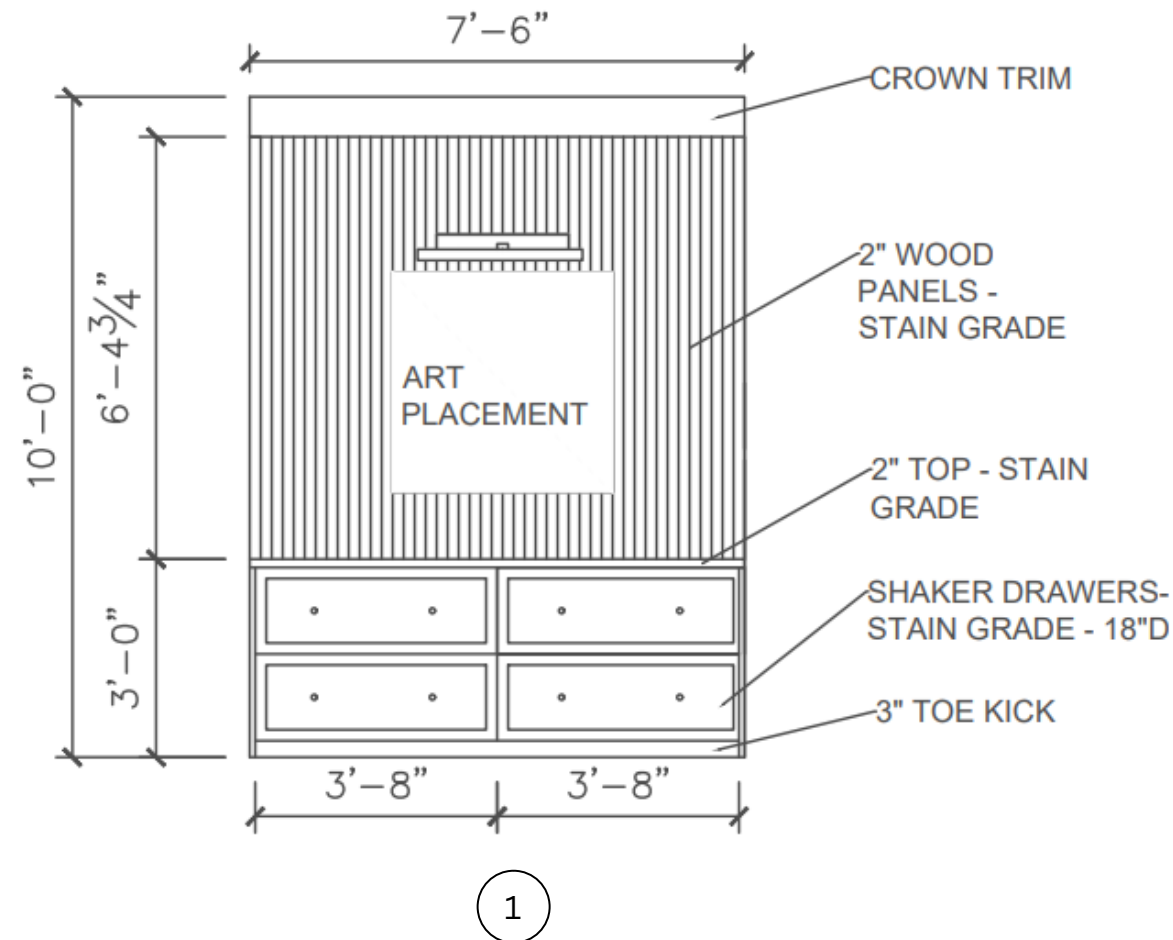
PROJECT ADDRESS:
 1000 HALCYON AVE

DESIGNER:
 JESSICA DAVIS
 MEAGAN WHALEN

DATE CREATED:
 7/7/23

LAST UPDATED:
 8/4/23

OFFICE ELEVATIONS



JL DESIGN
 NASHVILLE
 370 HERRON DRIVE
 NASHVILLE, TN
 37210

PROJECT NAME:
 MAKER
 CONSTRUCTION

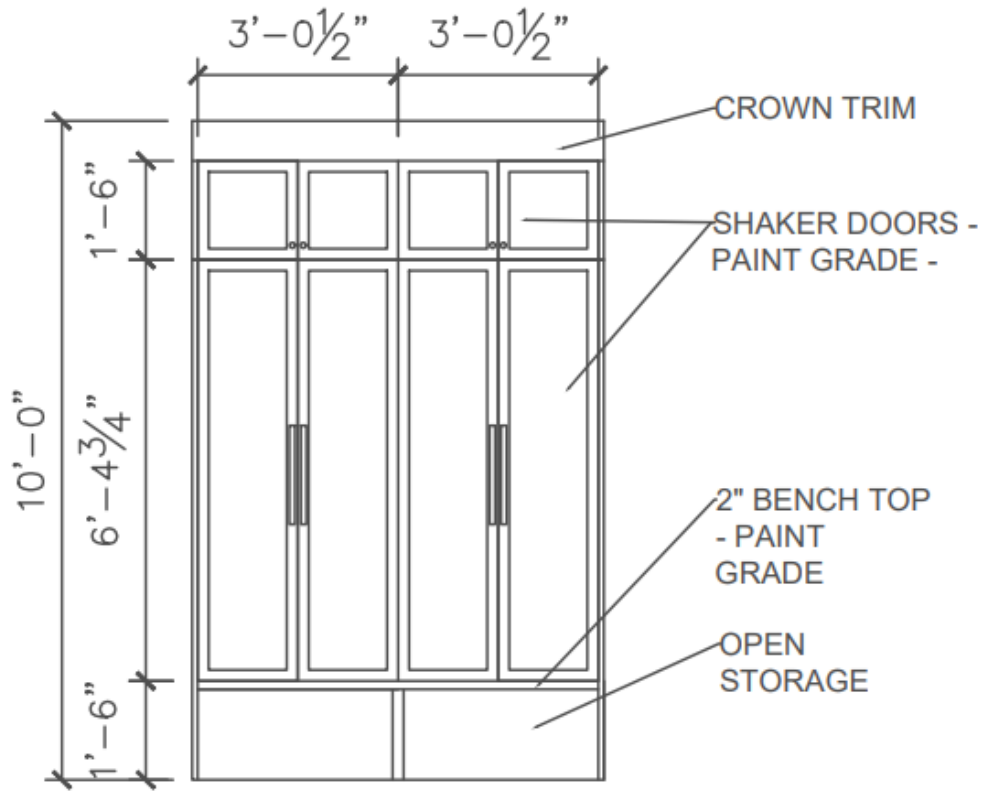
PROJECT ADDRESS:
 1000 HALCYON AVE

DESIGNER:
 JESSICA DAVIS
 MEAGAN WHALEN

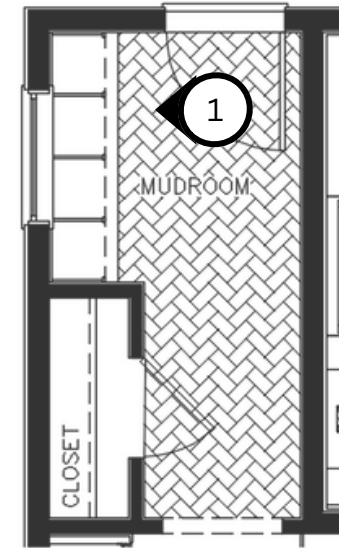
DATE CREATED:
 7/7/23

LAST UPDATED:
 8/4/23

ENTRY ELEVATION



1



JL DESIGN
 NASHVILLE
 370 HERRON DRIVE
 NASHVILLE, TN
 37210

PROJECT NAME:
 MAKER
 CONSTRUCTION

PROJECT ADDRESS:
 1000 HALCYON AVE

DESIGNER:
 JESSICA DAVIS
 MEAGAN WHALEN

DATE CREATED:
 7/7/23

LAST UPDATED:
 8/4/23

REAR ENTRY ELEVATION